

# Avvio Networks

## AM2520 Optical Multiplexer

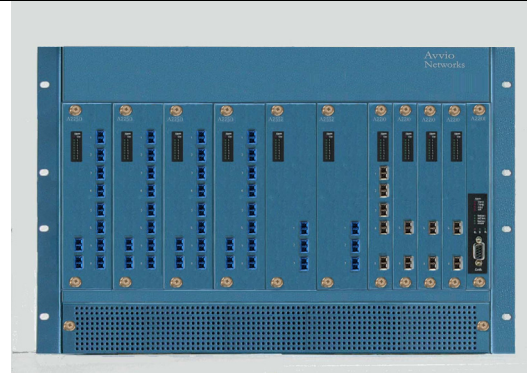
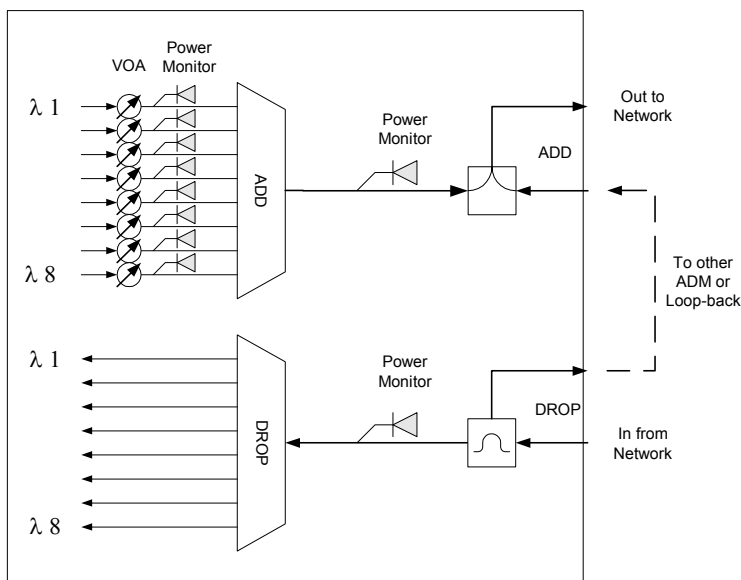
### Add/Drop multiple WDM wavelengths to /from a single fiber

The AM2520 is an optical add drop multiplexer (OADM) with 8 optical add/drop ports allowing WDM devices to be coupled onto or off of a fiber ring or mesh without disturbing other devices on the network.

The AM2520 works with all Avvio Networks products or any ITU-compliant optical device to allow multiple WDM channel operation over a single fiber.

Via the AM2520 controller card, the AM2520 offers SNMP, Telnet, and console management of the ports, an integrated VOA, and power monitors on the Composite and add ports. It also offers settable alarm thresholds on each port, along with automatic signal leveling on the add ports.

Note that up to four AM2520s can be cascaded to provide up to 32 ports. The following picture is a representative schematic of the AM2520.



### Features

Add/drop devices without disturbing the network.

Protocol independent

SNMP monitoring and management

Settable Alarm Thresholds

Power monitoring

Dry Contact Alarms

Works with any ITU-compliant optical device

Avvio Networks' advanced optical networking products set the standard for a new breed of cost-effective networks and services.

Avvio Networks  
11 Donovan Dr  
Bedford, Ma 01730  
(978) 453-5200

email:  
[sales@avvionetworks.com](mailto:sales@avvionetworks.com)  
[www.avvionetworks.com](http://www.avvionetworks.com)

## Technical Specifications

### WDM Interface

Channel Spacing	50, 100Ghz, 20nm*
Channel Passband	0.11nm (100Ghz)

### Loss

In to Add or Drop	<6.9dB (with 2% tap)**
Loss uniformity	1dB**
Return Loss	>45dB**

### DeMux Isolation

Adjacent channel	<26dB**
Non-Adjacent	<35dB**

### Mux Isolation

Adjacent channel	TBD**
Non-Adjacent	TBD**

### Polarization Dependant Loss

<0.85dB\*\*

### Environmental

Operating Temperature, Relative Humidity, Vibration, Shock and Flammability	Complies with Bellcore NEBS (GR63) TR-NWT-0000-63 and ETSI ETS 300-19-1
---	---

EMI, EMC	Complies with FCC part 15 class A, ETSI EN50082-1
----------	---

### Dimensions

Chassis size	~6 X 9" X 2" (2 slots in the AM2500 chassis)
--------------	---

## Ordering Information

AM2520- (1st ITU channel)-(channel spacing)

For example, an 8 port 100Ghz DWDM mux starting at ITU channel 30 to channel 33, the order number would be:  
A2508A-30-100

Note: these specifications are subject to change without notice

\*Specifications provided here are for 100Ghz unit. Contact Avvio Networks for 50Ghz or 20nm specifications.

\*\*Contact Avvio Networks for specifications