

Avvio Networks

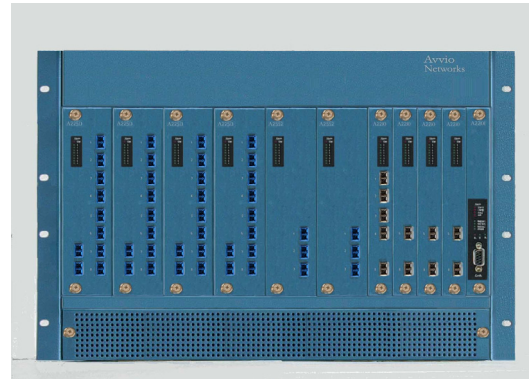
AM2570 Optical APS switch

Add Optical APS Protection to Any Device

Avvio Networks' AM2570 is an optical APS switch providing protocol independent APS protection without disturbing other devices on the network. The AM2570 transmits on both output fibers, and listens on one of two fibers. If the signal on the working fiber falls below a specified threshold level, the AM2570 will switch to the other fiber.

The AM2570 works with all Avvio Networks products or any ITU-compliant optical device. It can be used to protect an entire fiber or a single wavelength.

The AM2570 offers SNMP, Telnet, and console management via the AM2502 controller card. It offers settable alarm thresholds on each port, latching switches and revertive or non-revertive operation. Note the AM2570 can be manually switched using the AM2502 controller card.



Features

Add APS protection without disturbing the network.

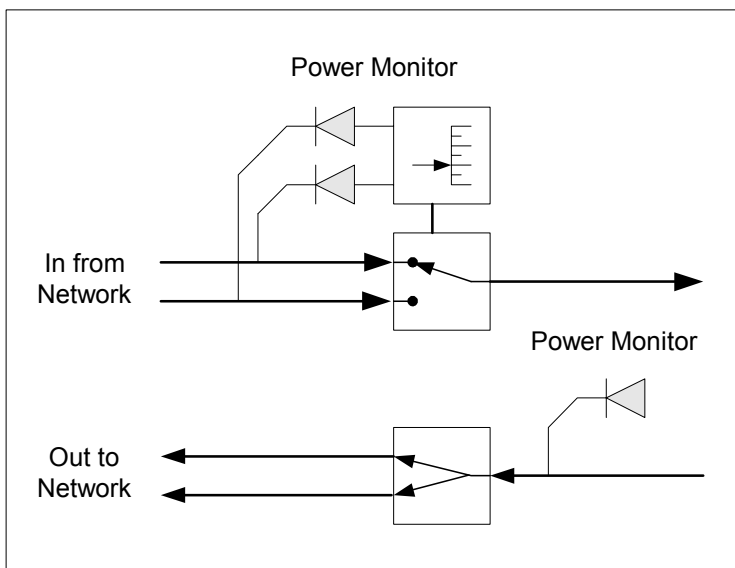
Protocol independent

SNMP monitoring and management

Settable Alarm Thresholds

Power monitoring

Works with any ITU-compliant optical device



Avvio Networks' advanced optical networking products set the standard for a new breed of cost-effective networks and services.

Avvio Networks
 11 Donovan Dr
 Bedford, MA 01730
 (978) 453-5200

email:
sales@avvionetworks.com
www.avvionetworks.com

Technical Specifications*

Loss

Insertion	< 1dB
Return	>55dB

Switching

Time	<10ms**
Repeatability	0.1dB

Isolation

>55 dB

Polarization Dependant Loss

<0.2dB

Environmental

Operating Temperature, Relative Humidity, Vibration, Shock and Flammability	Complies with Bellcore NEBS (GR63) TR-NWT-0000-63 and ETSI ETS 300-19-1
---	---

EMI, EMC	Complies with FCC part 15 class A, ETSI EN50082-1
----------	---

Dimensions

Chassis size	~6 X 9" X 1" (1 slot in the AM2500 chassis)
--------------	--

Ordering Information

AM2570- (single = 1, dual = 2)

*Switch specifications subject to change

** A high-speed switch option is available

Note: these specifications are subject to change without notice

Copyright © 2005 Avvio Networks. Avvio Networks is a trademark of Avvio Networks

Lit number: AM2570.3